



# APPLIED TECHNICAL SERVICES, INCORPORATED

1049 Triad Court, Marietta, Georgia 30062 • (770) 423-1400 Fax (770) 424-6415

## MATERIALS TEST REPORT

Ref. D249183      Date March 1, 2016      Page 1

Ben Houston  
Metal Works, LLC  
P. O. Box 2009  
Oakwood, Georgia 30566

Purchase Order #: 1029/CC

### Test Procedure

Shear	<input type="checkbox"/>	Material: Steel
Load	<input checked="" type="checkbox"/>	
Impact	<input type="checkbox"/>	
Density	<input type="checkbox"/>	Specifications: Not Supplied
Bend	<input type="checkbox"/>	
Other	<input type="checkbox"/>	

### Test Results

Part Identification	Quantity	Results	Remarks
Deck Clips	5	<u>Ultimate Load (lbs)</u> 1: 1,420 2: 1,416 3: 1,443 4: 1,384 5: 1,453 Avg: 1,423 Std. Dev.: 26.9	Tensile load tests were performed on the Deck Clips that were sent to ATS (see Figures 1-3). The Deck Clips were tested at a crosshead speed of 0.25 inches per minute. The clamping surface was held stationary while the Deck Clip was loaded through the clamping bolt (cont.)

ISO 9001



Prepared by: W. R. Allen      W. R. Allen  
Materials Testing

Approved by: Mark Elrod      M. Elrod, P. E.  
Manager

This report may not be reproduced except in full without the written approval of ATS. This report represents interpretation of the results obtained from the test specimen and is not to be construed as a guarantee or warranty of the condition of the entire material lot. If the method used is a customer provided, non-standard test method, ATS does not assume responsibility for validation of the method.



# APPLIED TECHNICAL SERVICES, INCORPORATED

1049 Triad Court, Marietta, Georgia 30062 • (770) 423-1400 Fax (770) 424-6415

## MATERIALS TEST REPORT

Ref. D249183      Date March 1, 2016      Page 2

Ben Houston  
Metal Works, LLC  
P. O. Box 2009  
Oakwood, Georgia 30566

Purchase Order #: 1029/CC

### Test Procedure

Shear	<input type="checkbox"/>	Material: Steel
Load	<input checked="" type="checkbox"/>	
Impact	<input type="checkbox"/>	
Density	<input type="checkbox"/>	Specifications: Not Supplied
Bend	<input type="checkbox"/>	
Other	<input type="checkbox"/>	

### Test Results

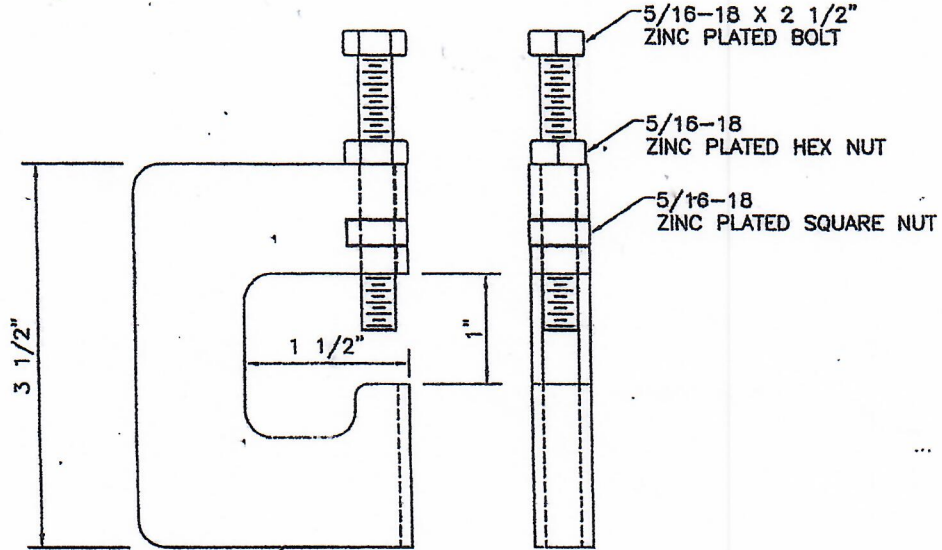
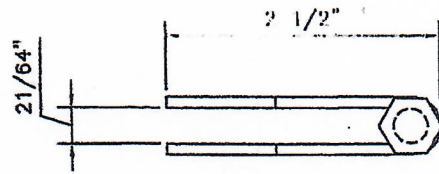
Part Identification	Quantity	Results	Remarks
Deck Clips	5	<u>Yield Load (lbs)</u> 1: 986 2: 921 3: 941 4: 900 5: 959 Avg: 941 Std. Dev.: 33.2	until failure occurred. All of the Deck Clips failed by distortion and buckling. Figures 4, 5, and 6 show the Deck Clips before and after testing. The clamping bolt and nut were tightened by hand. Copies of the load vs. time graphs are attached as Appendix A.



Prepared by: W. R. Allen      W. R. Allen  
 Materials Testing

Approved by: Mark Elrod      M. Elrod, P. E.  
 Manager

This report may not be reproduced in full without the written approval of ATS. This report represents interpretation of the results obtained from the test specimen and is not to be construed as a guarantee or warranty of the condition of the entire material lot. If the method used is a customer provided, non-standard test method, ATS does not assume responsibility for validation of the method.



12 GA. GALV. STEEL  
FORMED 180°

METAL WORKS  
DECK CLIP