



DEPARTMENT OF REGULATORY AND ECONOMIC RESOURCES (RER)
BOARD AND CODE ADMINISTRATION DIVISION

MIAMI-DADE COUNTY
PRODUCT CONTROL SECTION
11805 SW 26 Street, Room 208
Miami, Florida 33175-2474
T (786) 315-2590 F (786) 315-2599

www.miamidade.gov/economy

NOTICE OF ACCEPTANCE (NOA)

MetalWorks, LLC
4409 McBrayer Road
Oakwood, Georgia 30566

SCOPE:

This NOA is being issued under the applicable rules and regulations governing the use of construction materials. The documentation submitted has been reviewed and accepted by Miami-Dade County RER- Product Control Section to be used in Miami Dade County and other areas where allowed by the Authority Having Jurisdiction (AHJ).

This NOA shall not be valid after the expiration date stated below. The Miami-Dade County Product Control Section (In Miami Dade County) and/or the AHJ (in areas other than Miami Dade County) reserve the right to have this product or material tested for quality assurance purposes. If this product or material fails to perform in the accepted manner, the manufacturer will incur the expense of such testing and the AHJ may immediately revoke, modify, or suspend the use of such product or material within their jurisdiction. RER reserves the right to revoke this acceptance if it is determined by Miami-Dade County Product Control Section that this product or material fails to meet the requirements of the applicable building code.

This product is approved as described herein and has been designed to comply with the High Velocity Hurricane Zone of the Florida Building Code.

DESCRIPTION: 0.038' (min.) Galvalume 3" deep x 16" wide Panel for Canopy

APPROVAL DOCUMENT: Drawing No. 14-1470.1, sheets 1 through 3 of 3, titled " 20 ga. (0.038" min.) Galvalume Deck ", prepared by Mills, Short & Associates, dated May 31, 2021, signed and sealed by Jason W. Short, P.E., on June 14, 2021 bearing the Miami-Dade County Product Control Revision stamp with the Notice of Acceptance number and the expiration date by the Miami-Dade County Product Control Section.

MISSILE IMPACT RATING: None

LABELING: Each panel shall bear a permanent label with the manufacturer's name or logo, city, state and the following statement: "Miami-Dade County Product Control Approved", unless otherwise noted herein.

RENEWAL of this NOA shall be considered after a renewal application has been filed and there has been no change in the applicable building code negatively affecting the performance of this product.

TERMINATION of this NOA will occur after the expiration date or if there has been a revision or change in the materials, use, and/or manufacture of the product or process. Misuse of this NOA as an endorsement of any product, for sales, advertising or any other purposes shall automatically terminate this NOA. Failure to comply with any section of this NOA shall be cause for termination and removal of NOA.

ADVERTISEMENT: The NOA number preceded by the words Miami-Dade County, Florida, and followed by the expiration date may be displayed in advertising literature. If any portion of the NOA is displayed, then it shall be done in its entirety.

INSPECTION: A copy of this entire NOA shall be provided to the user by the manufacturer or its distributors and shall be available for inspection at the job site at the request of the Building Official.

This NOA revises and renews NOA #18-0918.09 and consists of this page 1, evidence submitted pages E-1, E-2, E-3, E-4 & E-5 as well as approval document mentioned above.

The submitted documentation was reviewed by **Helmy A. Makar, P.E., M.S.**



Helmy A. Makar
08/05/2021

NOA No. 21-0617.06
Expiration Date: 05/15/2026
Approval Date: 08/05/2021

NOTICE OF ACCEPTANCE: EVIDENCE SUBMITTED

1. EVIDENCE SUBMITTED UNDER PREVIOUS APPROVAL #96-1112.03

A. DRAWINGS

Title: 20 ga. galvalume 3" x 16" Deck Pans
Number: D1 through D4
Signature: William M. Meyers, P.E.
Date: 10/26/96
Revision Date: 01/08/97 and 01/14/97

B. TESTS

Laboratory: Hurricane Engineering and Testing Inc.
Number: HETI-96-563
Type: Uniform static air pressure wind load per ASTM E330.
Signature: Hector M. Medina, P.E.
Date: 11/05/96

C. CALCULATIONS

Title: 3" x 16" Galvalume Panel
Signature: William M. Meyers, P.E.
Date: 10/26/96

2. EVIDENCE SUBMITTED UNDER PREVIOUS APPROVAL #99-1207.03

A. DRAWINGS

1. *None.*

B. TESTS

1. *None.*

C. CALCULATIONS

1. *None.*

D. MATERIAL CERTIFICATIONS

1. *None.*

E. STATEMENTS

1. *Letter from Wm. M. Meyers, P.E., dated February 22, 2000, stating that the product has not changed from NOA No. 96-1112.03 and stating also that he is still in the engineering business.*

3. EVIDENCE SUBMITTED UNDER PREVIOUS APPROVAL #03-0325.01

A. DRAWINGS

1. *Drawing No. D1, D2, D3, & D4, titled " 20 ga. (0.038" min.) Galvalume ", sheet*



Helmy A. Makar, P.E., M.S.
Product Control Section Supervisor

NOA No. 21-0617.06

Expiration Date: 05/15/2026

Approval Date: 08/05/2021

MetalWorks, LLC

NOTICE OF ACCEPTANCE: EVIDENCE SUBMITTED

1 of 1, each drawing, prepared by Orange State Industries, dated April 02, 2003, signed and sealed by Carlos F. Castillo, P.E. on April 10, 2003.

B. TESTS

1. *None.*

C. CALCULATIONS

1. *None.*

D. MATERIAL CERTIFICATIONS

1. *None.*

4. EVIDENCE SUBMITTED UNDER PREVIOUS APPROVAL #07-0924.04

A. DRAWINGS

1. *Drawing No. D1, D2, D3, & D4, titled " 20 ga. (0.038" min.) Galvalume ", sheet 1 of 1, each drawing, prepared by Orange State Industries, dated April 02, 2003, signed and sealed by Carlos F. Castillo, P.E. on April 10, 2003.*

B. TESTS

1. *None.*

C. CALCULATIONS

1. *None.*

D. MATERIAL CERTIFICATIONS

1. *None.*

5. EVIDENCE SUBMITTED UNDER PREVIOUS APPROVAL #13-0430.03

A. DRAWINGS

1. *Drawing No. D1, sheets 1 through 5 of 5, titled " 20 ga. (0.038" min.) Galvalume 16" x 3" Deck Pans ", prepared by PTC Product Design Group, LLC, dated December 01, 2007, last revision A dated April 19, 2013, signed and sealed by Robert J. Amoruso, P.E.*

B. TESTS

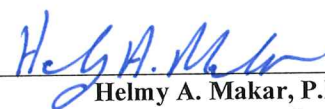
1. *None.*

C. CALCULATIONS

1. *None.*

D. MATERIAL CERTIFICATIONS

1. *None.*



Helmy A. Makar, P.E., M.S.
Product Control Section Supervisor
NOA No. 21-0617.06
Expiration Date: 05/15/2026
Approval Date: 08/05/2021

MetalWorks, LLC

NOTICE OF ACCEPTANCE: EVIDENCE SUBMITTED

6. **EVIDENCE SUBMITTED UNDER PREVIOUS APPROVAL #14-0421.05**
- A. **DRAWINGS**
1. *None.*
- B. **TESTS**
1. *None.*
- C. **CALCULATIONS**
1. *None.*
- D. **QUALITY ASSURANCE**
1. *By Miami-Dade County Department of Regulatory and Economic Resources.*
- E. **MATERIAL CERTIFICATIONS**
1. *None.*
7. **EVIDENCE SUBMITTED UNDER PREVIOUS APPROVAL #15-0526.09**
- A. **DRAWINGS**
1. *Drawing No. 14-1470, sheets 1 through 6 of 6, titled " 20 ga. (0.038" min.) Galvalume 16" x 3" Deck Pans ", prepared by Mills, Short & Associates, dated March 23, 2015, signed and sealed by Jason W. Short, P.E., on June 25, 2015.*
- B. **TESTS**
1. *None.*
- C. **CALCULATIONS**
1. *None.*
- D. **QUALITY ASSURANCE**
1. *By Miami-Dade County Department of Regulatory and Economic Resources.*
- E. **MATERIAL CERTIFICATIONS**
1. *None.*
8. **EVIDENCE SUBMITTED UNDER PREVIOUS APPROVAL #16-0510.29**
- A. **DRAWINGS**
1. *Drawing No. 14-1470, sheets 1 through 3 of 3, titled " 20 ga. (0.038" min.) Galvalume Deck ", prepared by Mills, Short & Associates, dated March 23, 2015, signed and sealed by Jason W. Short, P.E., on January 15, 2016.*



Helmy A. Makar, P.E., M.S.
Product Control Section Supervisor
NOA No. 21-0617.06
Expiration Date: 05/15/2026
Approval Date: 08/05/2021

MetalWorks, LLC

NOTICE OF ACCEPTANCE: EVIDENCE SUBMITTED

B. TESTS

1. Laboratory: Intertek/Architectural Testing
Number: E5270.01-450-44
Type: Uniform static air pressure wind load per TAS 202.
Signature: Joseph A. Reed, P.E.
Date: 12/09/2015

C. CALCULATIONS

1. Title: *3" x 16" Galvalume Panel*
Signature: *Jason W. Short, P.E.*
Date: 01/15/2016.

D. QUALITY ASSURANCE

1. *By Miami-Dade County Department of Regulatory and Economic Resources.*

E. MATERIAL CERTIFICATIONS

1. *None.*

9. EVIDENCE SUBMITTED UNDER PREVIOUS APPROVAL #18-0918.09

A. DRAWINGS

1. *Drawing No. 14-1470.1, sheets 1 through 3 of 3, titled "20 ga. (0.038" min.) Galvalume Deck", prepared by Mills, Short & Associates, dated December 31, 2017, signed and sealed by Jason W. Short, P.E., on December 31, 2017.*

B. TESTS

1. *None.*

C. CALCULATIONS

1. *None.*

D. QUALITY ASSURANCE

1. *By Miami-Dade County Department of Regulatory and Economic Resources.*

E. MATERIAL CERTIFICATIONS

1. *None.*



Helmy A. Makar, P.E., M.S.
Product Control Section Supervisor
NOA No. 21-0617.06
Expiration Date: 05/15/2026
Approval Date: 08/05/2021

NOTICE OF ACCEPTANCE: EVIDENCE SUBMITTED

10. NEW EVIDENCE SUBMITTED

A. DRAWINGS

1. *Drawing No. 14-1470.1, sheets 1 through 3 of 3, titled " 20 ga. (0.038" min.) Galvalume Deck ", prepared by Mills, Short & Associates, dated May 31, 2021, signed and sealed by Jason W. Short, P.E., on June 14, 2021.*

B. TESTS

1. *None.*

C. CALCULATIONS

1. *None.*

D. QUALITY ASSURANCE

1. *By Miami-Dade County Department of Regulatory and Economic Resources.*

E. MATERIAL CERTIFICATIONS

1. *None.*

Helmy A. Makar, P.E., M.S.
Product Control Section Supervisor
NOA No. 21-0617.06
Expiration Date: 05/15/2026
Approval Date: 08/05/2021

GENERAL NOTES

- THE DECKING SHOWN ON THIS PRODUCT EVALUATION DOCUMENT (P.E.D.) HAS BEEN VERIFIED FOR COMPLIANCE IN ACCORDANCE WITH THE HVHZ OF THE 2020 (7TH EDITION) OF THE FLORIDA BUILDING CODE.
- DESIGN WIND LOADS SHALL BE DETERMINED AS PER SECTIONS 1620 (HVHZ) OF THE ABOVE MENTIONED BUILDING CODE.
- FOR BASIC WIND SPEEDS AS REQUIRED BY THE LOCAL JURISDICTION WHERE THIS PRODUCT IS TO BE INSTALLED A DIRECTIONALITY FACTOR $K_d = 0.85$ SHALL BE USED IN ACCORDANCE WITH ASCE 7-16, AND THIS SHALL NOT EXCEED THE MAXIMUM (A.S.D.) DESIGN PRESSURE RATINGS INDICATED IN THE PANEL NOTES.
- IN ORDER TO VERIFY THE ABOVE CONDITIONS ARE MET, THE ULTIMATE DESIGN WIND LOADS DETERMINED PER ASCE 7-16 SHALL BE FIRST REDUCED TO A.S.D. DESIGN WIND LOADS BY MULTIPLYING THEM BY 0.6 IN ORDER TO COMPARE THESE WITH THE MAX. (A.S.D.) DESIGN PRESSURE INDICATED IN THE PANEL NOTES.
- SHOP DRAWINGS AND STRUCTURAL CALCULATIONS SHALL BE SUBMITTED FOR EVERY PERMIT. THE STRUCTURAL COMPONENTS FOR THE DECKING ATTACHMENT SHALL BE DESIGN BY A LICENSED FLORIDA PROFESSIONAL ENGINEER, AND REVIEWED BY THE STRUCTURAL PLANS EXAMINER OF THE CORRESPONDING BUILDING DEPT. ON A JOB SITE SPECIFIC BASIS.
- STRUCTURAL ADEQUACY OF SUPPORTING STRUCTURAL MEMBERS IS NOT A PART OF THIS P.E.D. STRUCTURAL DESIGN OF SUCH MEMBERS SHALL BE DESIGN IN ACCORDANCE WITH THE FLORIDA BUILDING CODE, 2020 (7TH EDITION), AND THE STRUCTURAL ENGINEER OF RECORD FOR THE SPECIFIC PROJECT. STRUCTURAL DESIGN SHALL INCLUDE AND TAKE INTO CONSIDERATION THE ACTUAL V_x AND V_y LOADS TRANSFERRED FROM THE PANEL TO EACH SUPPORT BASED ON DEAD, LIVE, AND WIND LOADS, AND USING THE COMBINATIONS OF ASCE 7 STANDARD.
- STRUCTURAL MEMBERS SHALL BE REVIEWED BY THE STRUCTURAL PLANS EXAMINER OF THE CORRESPONDING BUILDING DEPT. ON A JOB SITE SPECIFIC BASIS.
- IT SHALL BE THE RESPONSIBILITY OF THE CONTRACTOR TO VERIFY THE STRUCTURAL STABILITY ('SOUNDNESS') OF THE STRUCTURE WHERE THE PANELS ARE TO BE INSTALLED.
- PANEL INSTALLATION SHALL COMPLY WITH ALL SPECIFICATIONS INDICATED IN THIS DRAWING PLUS ANY BUILDING/ZONING REQUIREMENTS PROVIDED BY THE JURISDICTION WHERE THE PERMIT IS APPLIED FOR.
- THE PRODUCT EVALUATION DOCUMENT (P.E.D.) PREPARED BY THIS ENGINEERING FIRM IS GENERIC, AND DOES NOT PROVIDE INFORMATION FOR A SITE SPECIFIC PROJECT.
- THE CONTRACTOR IS TO BE RESPONSIBLE FOR THE SELECTION, PURCHASE, AND INSTALLATION (INCLUDING LIFE SAFETY) OF THIS PRODUCT BASED ON THE PRODUCT APPROVAL PROVIDED. IT IS IMPERATIVE THAT ONE DOES NOT DEVIATE FROM THE CONDITIONS DETAILED IN THIS DOCUMENT.
- CONSTRUCTION SAFETY OF THE SITE IS THE SOLE RESPONSIBILITY OF THE CONTRACTOR.
- THIS PRODUCT EVALUATION WILL BE CONSIDERED INVALID IF MODIFIED IN ANY WAY.
- SITE SPECIFIC PROJECTS PREPARED BY A REGISTERED FLORIDA ENGINEER OR ARCHITECT WHICH WILL BECOME THE PROFESSIONAL OF RECORD FOR THE PROJECT, AND WHO SHALL BE RESPONSIBLE FOR THE PROPER USE OF THIS P.E.D. THE PROFESSIONAL OF RECORD, ACTING AS DELEGATED ENGINEER OF THE P.E.D. ENGINEER, SHALL SUBMIT TO THIS LATTER, THE SITE SPECIFIC DRAWINGS FOR REVIEW.
- ORIGINAL P.E.D. SHALL BEAR THE DATE AND ORIGINAL SEAL AND SIGNATURE OF THE PROFESSIONAL ENGINEER THAT PREPARED IT.
- PRODUCT MANUFACTURER'S LABEL SHALL BE LOCATED IN A READILY VISIBLE LOCATION SHOWING THAT:
 - MANUFACTURER'S NAME, CITY, STATE AND THE STATEMENT "MIAMI-DADE COUNTY PRODUCT CONTROL APPROVED."

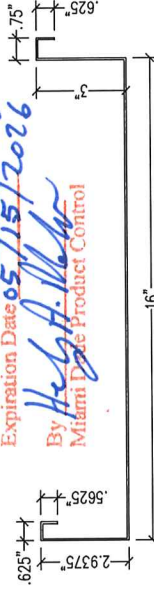
PANEL NOTES

- PANEL SHALL BE EMBOSSED GALVALUME 20 GA. (0.038" MIN.) ASTM A792-94 GR. 50B.
- MAX. A.S.D. DESIGN PRESSURE RATING FOR PANEL WITH DECK CLIP CONNECTIONS (SHEET 3):
 - FOR (2) DECK CLIPS PER SUPPORT. = 680 FT.-LBS.
 - MAX. ALLOWABLE BENDING MOMENT OF PANEL AT SUPP. = 383 FT.-LBS.
 - MAX. ALLOWABLE BENDING MOMENT OF PANEL BETWEEN SUPP. = 10.7 X 10⁶ LBS-IN²
 - EI VALUE OF PANEL = L/180
 - MAXIMUM ALLOWABLE DEFLECTION OF THE PANEL = 850 LBS.
 - MAX. SUPPORT REACTION
- THE ABOVE ALLOWABLE STRESSES OF THE CLIPPED & BOLTED CONNECTION PANELS ARE BASED ON A 16" WIDE PANEL LOADING. TO GET THE WIND LOAD PRESSURE PER SQUARE FOOT, MULTIPLY PANEL LOAD TIMES 12/16.
- THIS PANEL SHOULD BE USED ONLY IN THE CONSTRUCTION OF OPEN CANOPIES.
- E.A. CANOPY PROJECT SHALL BE CONSTRUCTED USING THE SAME PANEL CROSS SECTION AND SUPPORT DETAILS AT THE STRINGERS AND INTERLOCKING SEAMS AS SHOWN ON THIS TEST. THE DESIGN OF THE PANEL SPAN SHALL BE IN COMPLIANCE WITH ALL OF THE ABOVE ALLOWABLES.
- STRUCTURAL CALCULATIONS PERFORMED AS PER SECTIONS 1616 OF THE 2020 FLORIDA BUILDING CODE, 7TH ED.

DESIGN SPECIFICATIONS:

- CANOPIES SHALL BE DESIGNED IN COMPLIANCE WITH THE FLORIDA BUILDING CODE, 2020 (7TH EDITION) AND ACCORDING TO THE WIND PROVISIONS OF ASCE 7-16, AS NOTED ABOVE.
- DECK CLIP CONNECTION - TEST PRESSURE = +187.5/127.5 PSF
- LIVE LOAD TEST PRESSURE = 30 PSF

PRODUCT REVISED
as complying with the Florida Building Code
Acceptance No 21-0617-06
Expiration Date 05/15/2026
By *Heather A. Miller*
Miami Dade Product Control



20GA (0.038" MIN) GALVALUME DECK

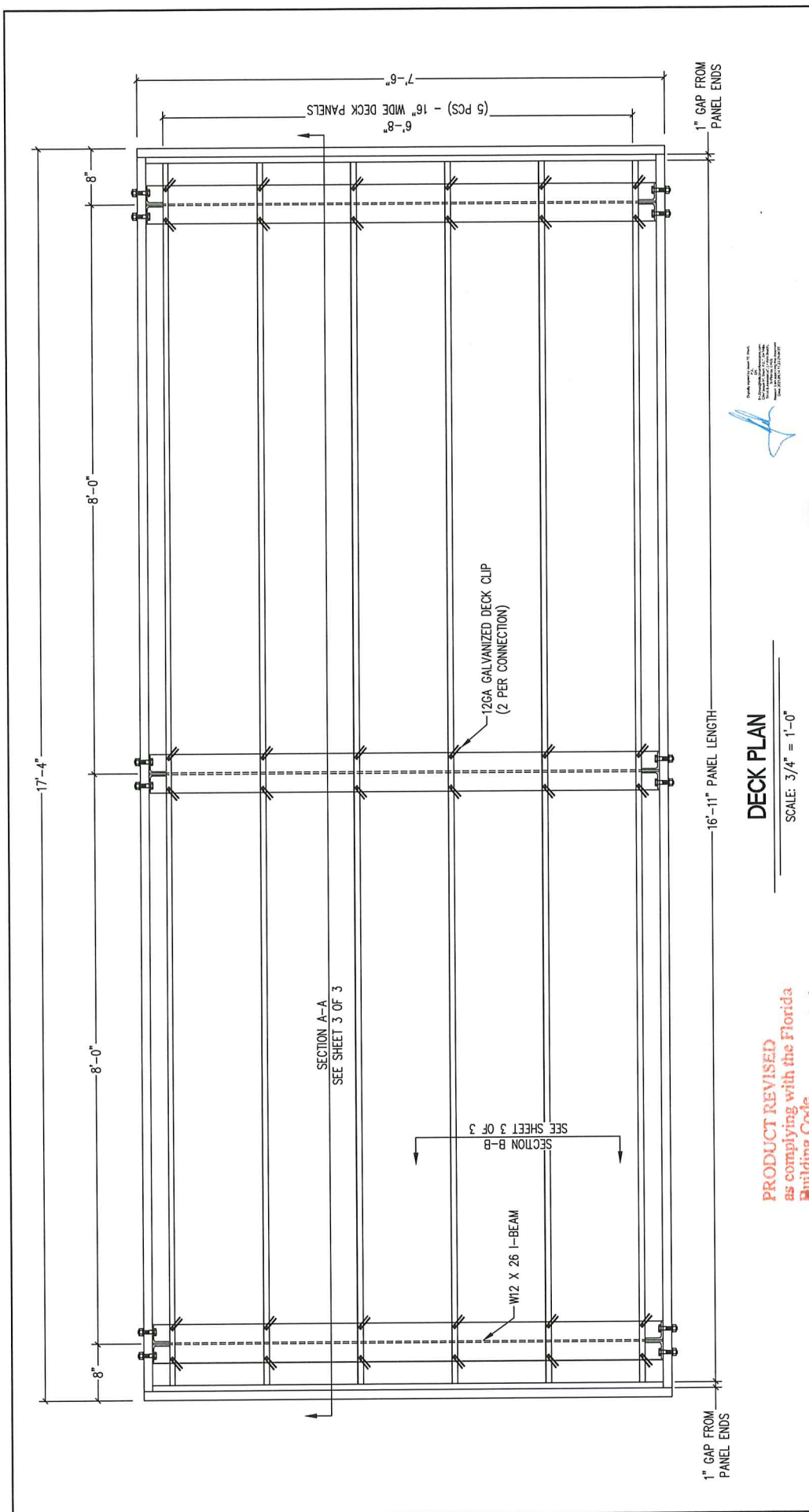
SCALE: 3" = 1'-0"



Mills, Short & Associates		Metal Works, LLC	
700 22nd Place, Suite 2C2D Vero Beach, Florida 32960		4409 McBrover Rd Oakwood, GA 30566 (678)960-3109	
WEBSITE: www.MillsShortAssociates.com C.A. # 30596		APPROVED BY:	
PHONE: (772)226-7282		DRAWN BY: J.W.S.	
No. 68018 June 14, 2021		SHEET # 1 OF 3	
FLORIDA PROFESSIONAL ENGINEER		DWG. FILE NAME: METL-1-2020	
FLORIDA BUILDING CODE (HIGH & NON-HIGH VELOCITY ZONES)		JOB NUMBER: 14-1470.1	
PLAN VIEW		20GA GALVALUME 16" WIDE PANEL	

THIS SEAL HAS BEEN DIGITALLY SIGNED & SEALED BY ANGELA W. SHORT.
PRINTED COPIES OF THIS DOCUMENT ARE NOT CONSIDERED SIGNED &
VALID UNLESS THE SIGNATURE AND SEAL IDENTIFICATION CODE MUST BE VERIFIED ON
ANY ELECTRONIC COPIES.

ALL SEALS, DESIGNS, ARRANGEMENTS AND PLANS INDICATED OR REPRESENTED BY THIS
DRAWING, INCLUDING ANY AND ALL PARTS THEREOF, ARE THE PROPERTY OF METAL WORKS, LLC, AND ARE
NOT TO BE REPRODUCED, COPIED, REPRODUCED, OR TRANSMITTED IN ANY FORM OR BY ANY
MEANS, ELECTRONIC OR MECHANICAL, INCLUDING PHOTOCOPYING, RECORDING, OR BY ANY
INFORMATION STORAGE AND RETRIEVAL SYSTEM, WITHOUT THE WRITTEN PERMISSION OF METAL WORKS, LLC.



DECK PLAN
SCALE: 3/4" = 1'-0"

PROFESSIONAL ENGINEER
JASON W. SHORT
LICENSE No. 68018
June 14, 2021
STATE OF FLORIDA

Mills, Short & Associates, LLC
4409 McBrayer Rd | Oakwood, GA 30566 | (678)960-3109
DRAWN BY: J.W.S.
SHEET # 2 OF 3
DWR FILE NAME: METL-1-2020
JOB NUMBER: 14-1470.1

Mills, Short & Associates, LLC
700 22nd Place, Suite 2C2D
Vero Beach, Florida 32960
PHONE: (772)225-7282
WEBSITE: www.MillsShortAssociates.com
C.A. # 30598

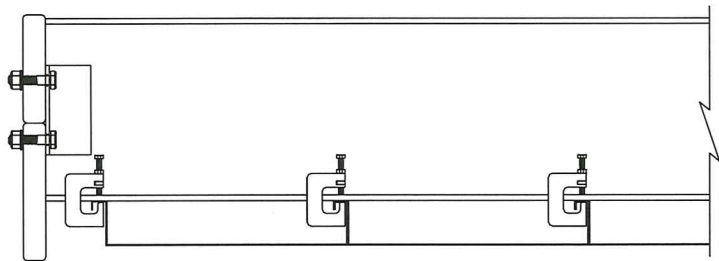
PLAN VIEW
DECK PANEL TESTING
20GA GALVALUME 16" WIDE PANEL

FLORIDA BUILDING CODE (HIGH & NON-HIGH VELOCITY ZONES)

THIS ITEM HAS BEEN DIGITALLY SIGNED & SEALED BY JASON W. SHORT.
P.E. M.A.S.C.E. P.E. #49018 ON 06/14/2021 USING A DIGITAL SIGNATURE.
PRINTED COPIES OF THIS DOCUMENT ARE NOT CONSIDERED BUSINESS &
AND ANY IDENTIFICATION CODES MUST BE VERIFIED ON ANY ELECTRONIC COPIES.

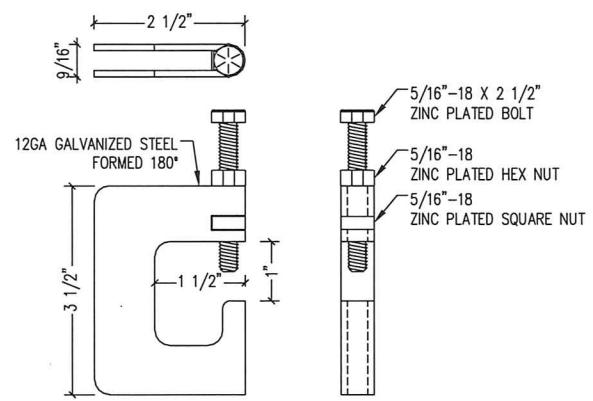
ALL DETAILS, DIMENSIONS, URBANSPECS AND PLANS INDICATED OR REPRESENTED BY THIS DRAWING ARE OWNED BY AND THE PROPERTY OF METAL WORKS, LLC AND HAVE BEEN CREATED, EVOLVED, AND DEVELOPED FOR USE ON, AND IN CONNECTION WITH THE SCHEDULED PRODUCT APPROVAL. NONE OF SUCH DETAILS, DIMENSIONS, URBANSPECS OR PLANS ARE TO BE REPRODUCED OR TRANSMITTED IN ANY FORM OR BY ANY MEANS, WITHOUT THE WRITTEN PERMISSION OF METAL WORKS, LLC.

PRODUCT REVISED
as complying with the Florida Building Code
Acceptance No 21-06/7-06
Expiration Date 05/15/2026
By *Heidi A. Miller*
Miami Trade Product Control



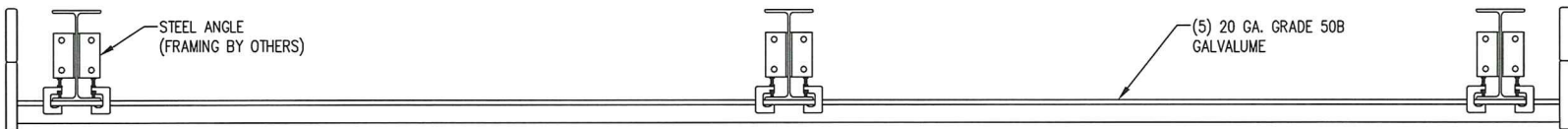
SECTION B-B

SCALE: 1 1/2" = 1'-0"



12GA DECK CLIP DETAIL

SCALE: 6" = 1'-0"



SECTION A-A

20GA DECK SIDE VIEW

SCALE: 3/4" = 1'-0"

PRODUCT REVISED
 as complying with the Florida
 Building Code
 Acceptance No. 21-0617-06
 Expiration Date 05/15/2026
 By *Helly A. Mahon*
 Miami Code Product Control

Mills, Short & Associates 700 22nd Place, Suite 2C/2D Vero Beach, Florida 32960 WEBSITE: www.MillsShortAssociates.com C.A. #: 30698 PHONE: (772)226-7282		JASON W. SHORT LICENSE No. 69018 June 14, 2021 STATE OF FLORIDA PROFESSIONAL ENGINEER		Metal Works, LLC 4409 McBrayer Rd Oakwood, GA 30566 (678)960-3109	
SCALE: 3/4" = 1'-0" DATE: 05/31/2021		APPROVED BY:		DRAWN BY: J.W.S. SHEET # 3 OF 3	
FLORIDA BUILDING CODE (HIGH & NON-HIGH VELOCITY ZONES)		DESCRIPTION: PLAN VIEW DECK PANEL TESTING 20GA GALVALUME 16" WIDE PANEL		DWG. FILE NAME: METL-1-2020 JOB NUMBER: 14-1470.1	

ALL IDEALS, DESIGNS, ARRANGEMENTS AND PLANS INDICATED OR REPRESENTED BY THIS DRAWING ARE OWNED BY AND THE PROPERTY OF METAL WORKS, LLC AND WERE CREATED, EVOLVED, AND DEVELOPED FOR USE ON, AND IN CONNECTION WITH THE SPECIFIED PRODUCT APPROVAL. NONE OF SUCH IDEALS, DESIGNS, ARRANGEMENTS OR PLANS SHALL BE USED BY OR DISCLOSED TO ANY PERSON, FIRM, OR CORPORATION FOR ANY PURPOSE WHATSOEVER WITHOUT THE WRITTEN PERMISSION OF METAL WORKS LLC.

THIS ITEM HAS BEEN DIGITALLY SIGNED & SEALED BY JASON W. SHORT, P.E., M.ASCE P.E. #69018 ON 06/14/2021 USING A DIGITAL SIGNATURE.
 PRINTED COPIES OF THIS DOCUMENT ARE NOT CONSIDERED SIGNED & SEALED, AND THE SHA AUTHENTICATION CODE MUST BE VERIFIED ON ANY ELECTRONIC COPIES.